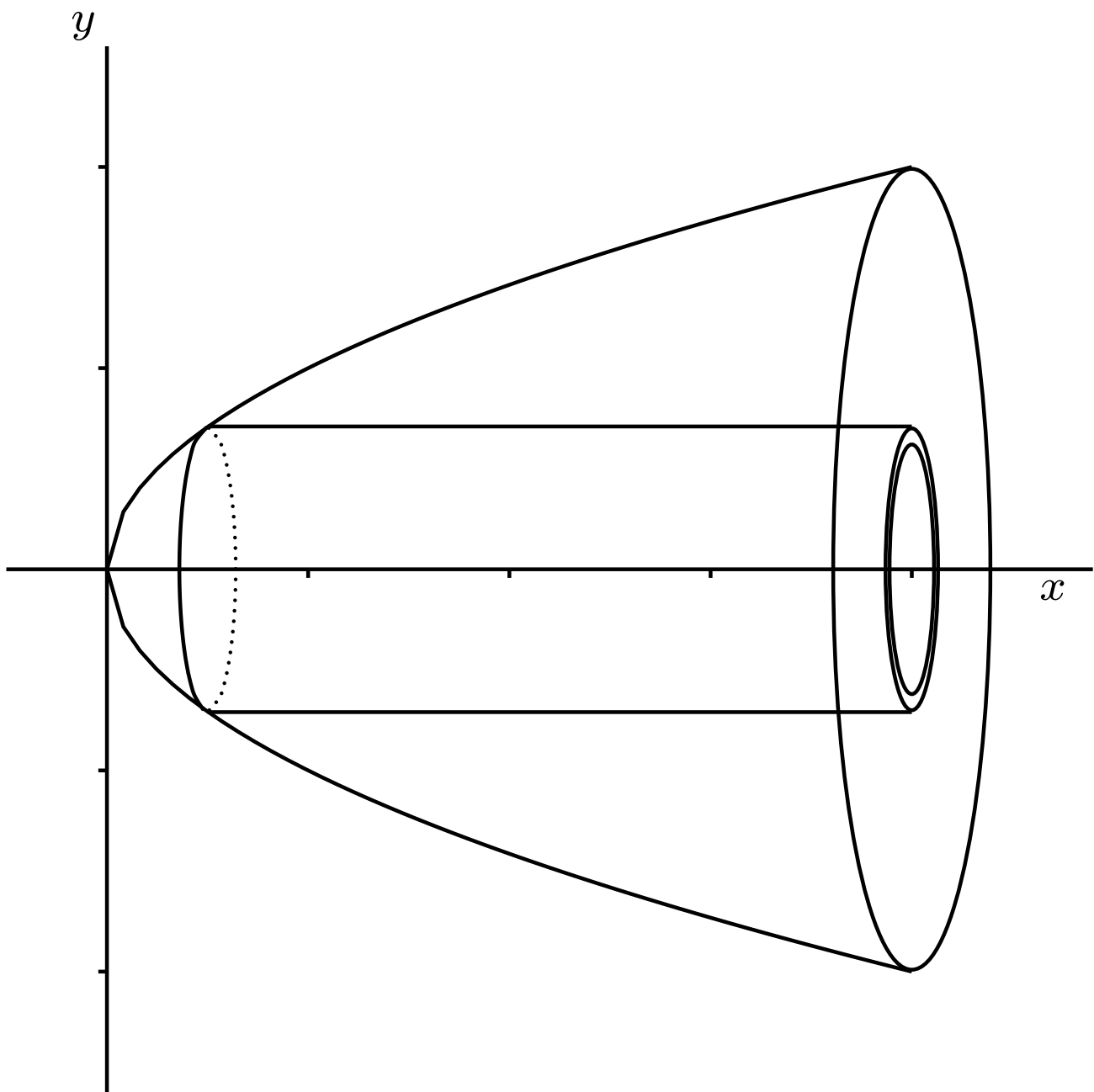
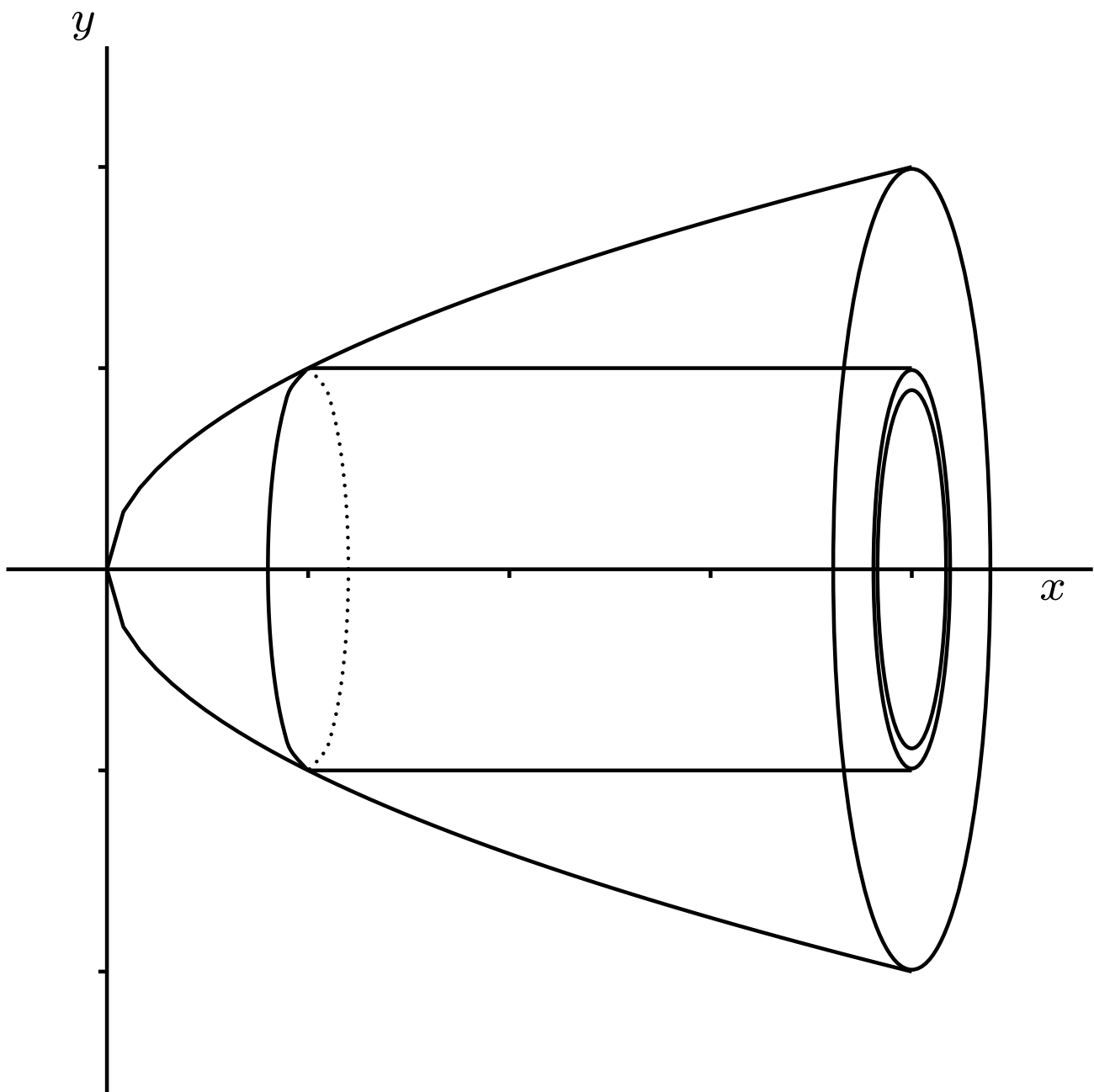


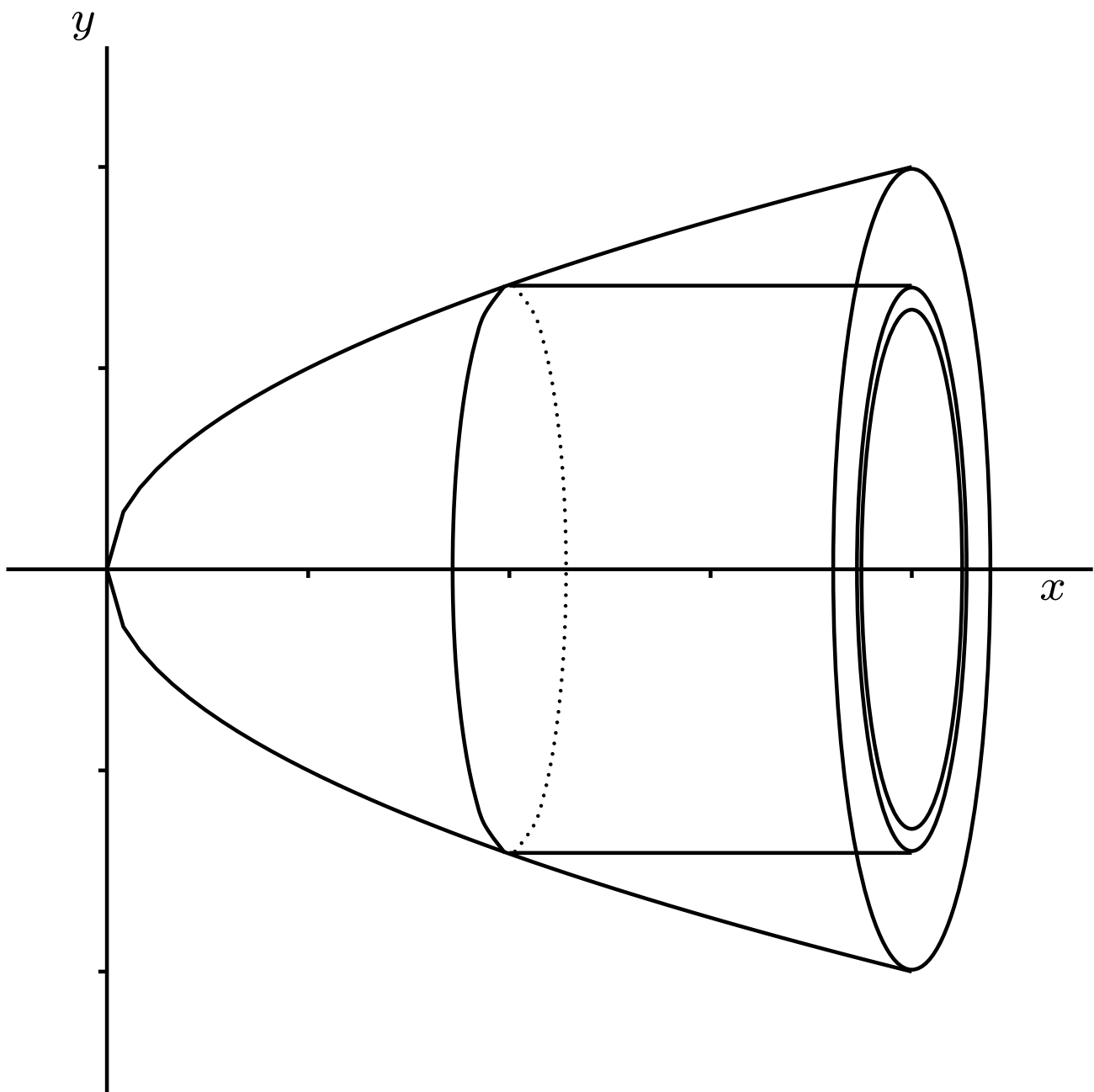
Paraboloid, volume by disks



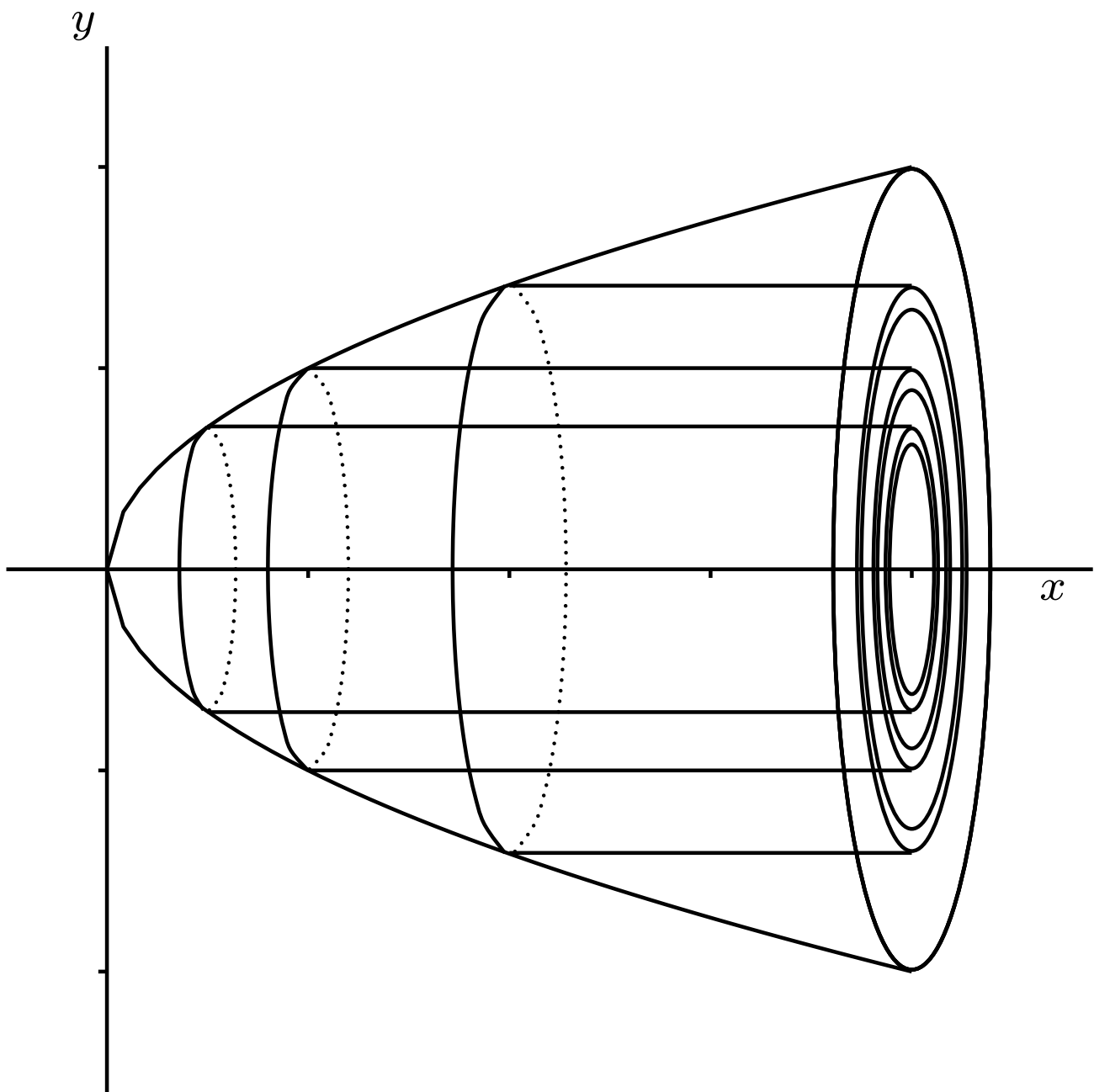
Paraboloid, volume by cylindrical shells



Paraboloid, volume by cylindrical shells



Paraboloid, volume by cylindrical shells



Paraboloid, volume by cylindrical shells